

LED Power & Control - Constant Voltage

PCV12 Series - 12W LED Drivers

Part Code	PCV1212	PCV2412
Input Voltage	220 ~ 240VAC	220 ~ 240VAC
Input Frequency	47/63Hz	47/63Hz
Power Factor	0.8	0.8
Power	12W	12W
Voltage	12Vdc	24Vdc
Current Range	0 ~ 1.0A	0 ~ 0.5A
Efficiency	80%	82%
Connections	Screw terminal on I/P & O/P	
Weight	60g	60g
Dimensions	98 x 39 x 22mm	

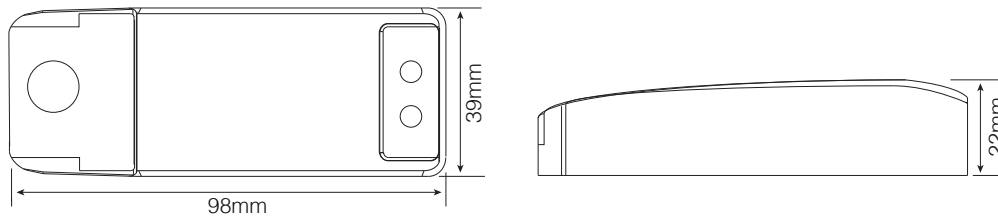


PCV20 Series - 20W LED Drivers

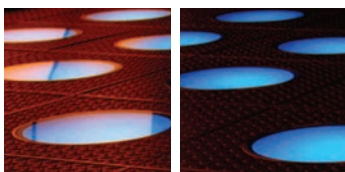
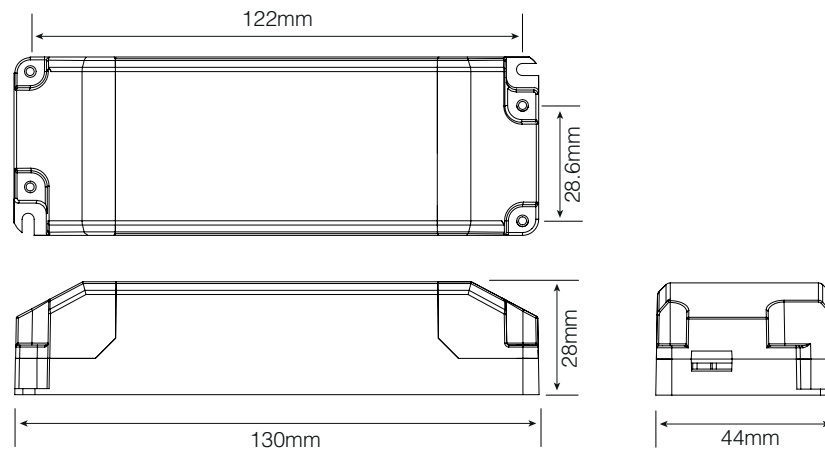
Part Code	PCV1220	PCV2420
Input Voltage	220 ~ 240VAC	220 ~ 240VAC
Input Frequency	47/63Hz	47/63Hz
Power Factor	0.8	0.8
Power	20W	20W
Voltage	12Vdc	24Vdc
Current Range	0 ~ 1.7A	0 ~ 0.83A
Efficiency	82%	84%
Connections	Screw terminal on I/P & O/P	
Weight	100g	100g
Dimensions	130 x 44 x 28mm	



PCV12 Series 12W Driver



PCV20 Series 20W Driver



PowerLed's LED drivers have been specifically designed for a wide range of LED applications. All our Drivers are CE approved as well as meeting stringent safety certification as detailed by UK European and International safety agencies, offering a warranty of upto 5 years* ensures that the PowerLed range of drivers are a safe and reliable choice. (*driver model dependent).

PCV36 Series - 36W LED Drivers

Part Code	PCV1236	PCV2436
Input Voltage	100 ~ 240VAC	100 ~ 240VAC
Input Frequency	47/63Hz	47/63Hz
Power Factor	0.95	0.95
Power	36W	36W
Voltage	12Vdc	24Vdc
Current Range	0 ~ 3A	0 ~ 1.5A
Efficiency	82%	84%
Connections	Screw terminal on I/P & O/P	
Weight	130g	130g
Dimensions	166 x 52 x 24mm	

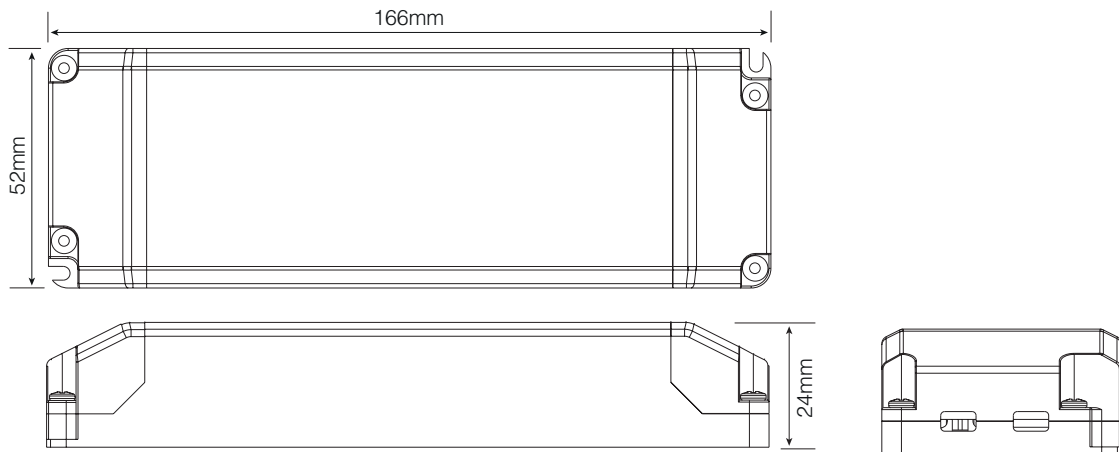


PCV50 Series - 50W LED Drivers

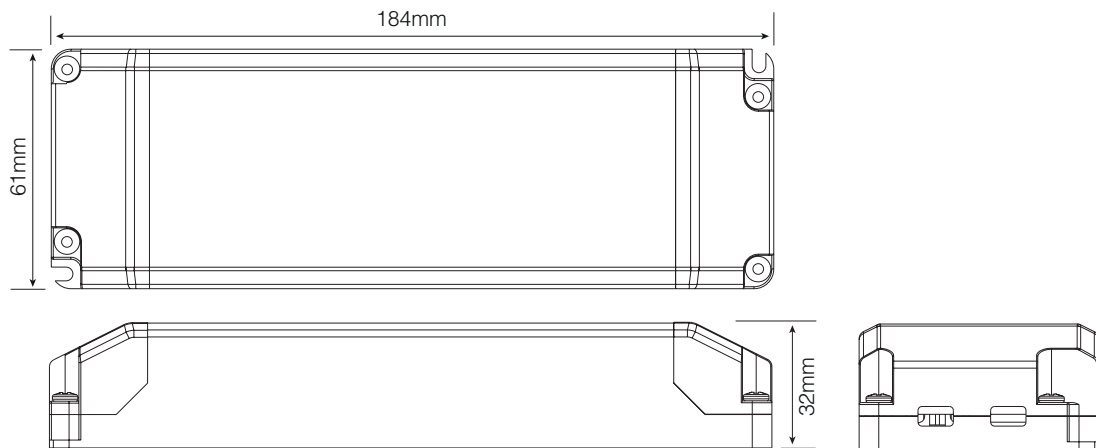
Part Code	PCV1250	PCV2450
Input Voltage	100 ~ 240VAC	100 ~ 240VAC
Input Frequency	47/63Hz	47/63Hz
Power Factor	0.95	0.95
Power	50W	48W
Voltage	12Vdc	24Vdc
Current Range	0 ~ 4.2	0 ~ 2A
Efficiency	82%	84%
Connections	Screw terminal on I/P & O/P	
Weight	300g	300g
Dimensions	184 x 61 x 32mm	



PCV36 Series 36W Driver



PCV50 Series 50W Driver



The PCV range of LED Drivers have been designed for indoor applications in both residential and retail environments.

PCV60 Series - 60W LED Drivers

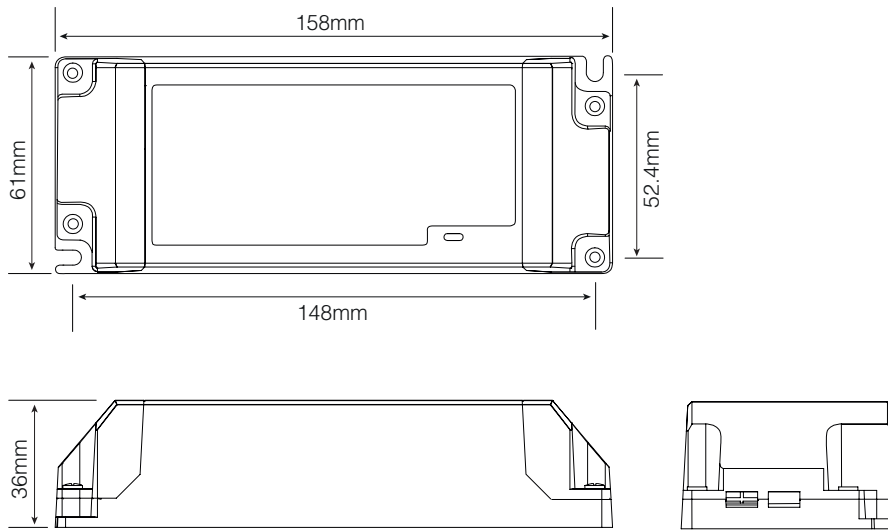
Part Code	PCV1260	PCV2460
Input Voltage	100 ~ 240VAC	100 ~ 240VAC
Input Frequency	47/63Hz	47/63Hz
Power Factor	0.95	0.95
Power	60W	60W
Voltage	12Vdc	24Vdc
Current Range	0 ~ 5A	0 ~ 2.5A
Efficiency	87%	87%
Connections	Screw terminal on I/P & O/P	
Weight	300g	300g
Dimensions	158 x 61 x 36mm	

PCV75 Series - 75W LED Drivers

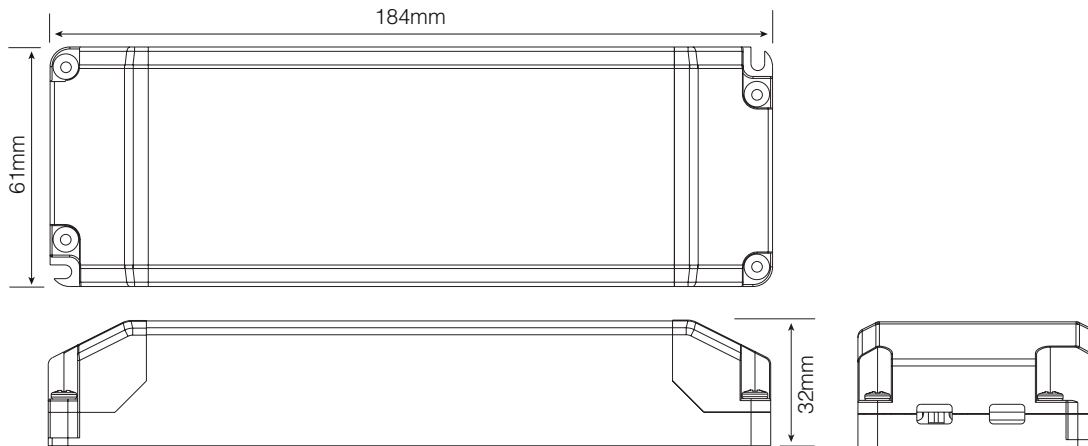
Part Code	PCV2475
Input Voltage	100 ~ 240VAC
Input Frequency	47/63Hz
Power Factor	0.95
Power	75W
Voltage	24Vdc
Current Range	0 ~ 3.15A
Efficiency	85%
Connections	Screw terminal on I/P & O/P
Weight	300g
Dimensions	184 x 61 x 32mm



PCV60 Series 60W Driver



PCV75 Series 75W Driver



PCV100 Series - 100W LED Drivers

Part Code	PCV12100	PCV24100
Input Voltage	100 ~ 240VAC	100 ~ 240VAC
Input Frequency	47/63Hz	47/63Hz
Power Factor	0.95	0.95
Power	100W	100W
Voltage	12Vdc	24Vdc
Current Range	0 ~ 8.33A	0 ~ 4.16A
Efficiency	87%	87%
Connections	Screw terminal on I/P & O/P	
Weight	400g	400g
Dimensions	158 x 61 x 36mm	

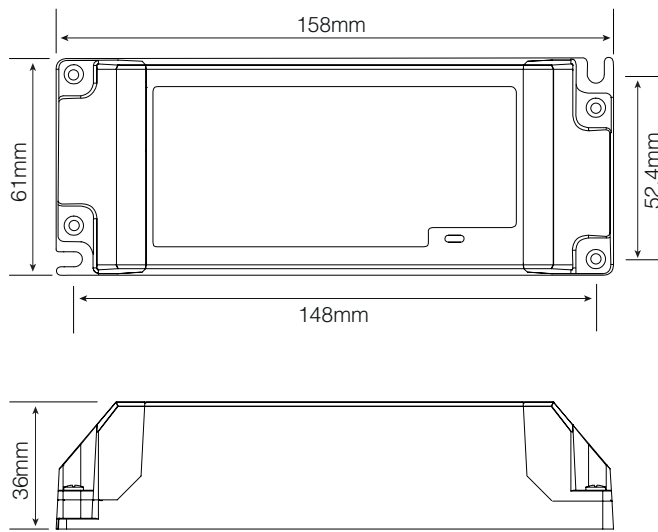


PCV150 Series - 150W LED Drivers

Part Code	PCV12150	PCV24150
Input Voltage	100 ~ 240VAC	100 ~ 240VAC
Input Frequency	47/63Hz	47/63Hz
Power Factor	0.95	0.95
Power	150W	150W
Voltage	12Vdc	24Vdc
Current Range	0 ~ 12.5A	0 ~ 6.25A
Efficiency	87%	87%
Connections	Screw terminal on I/P & O/P	
Weight	750g	750g
Dimensions	216 x 74 x 42mm	



PCV100 Series 100W Driver



PCV150 Series 150W Driver

